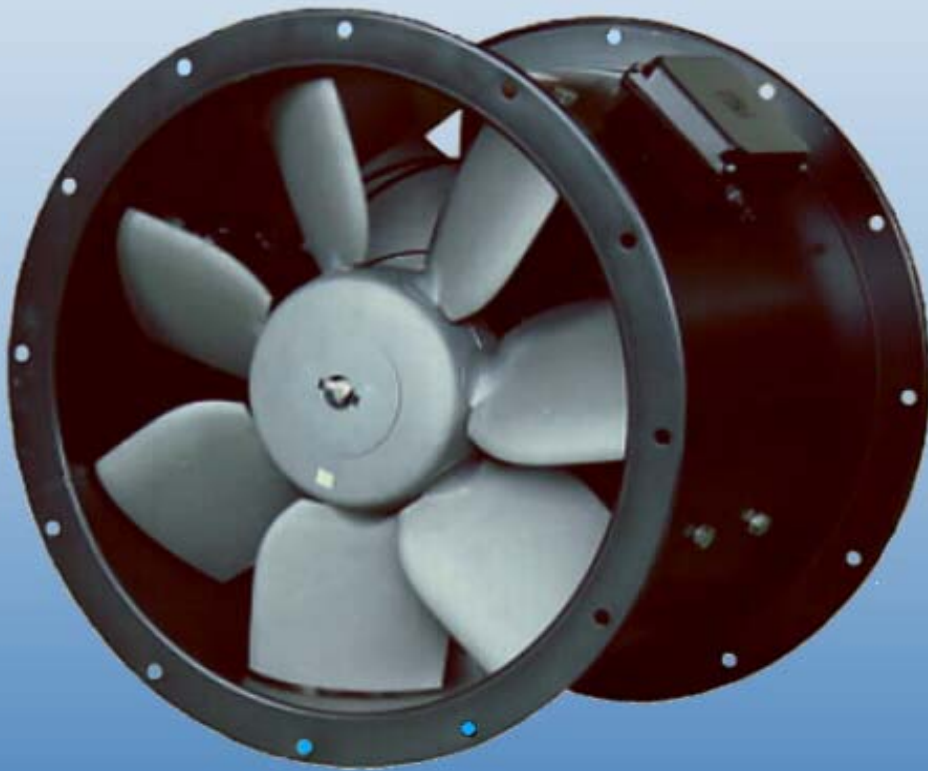




# *TDC Series*

*CONTRA-ROTATING AXIAL FANS*

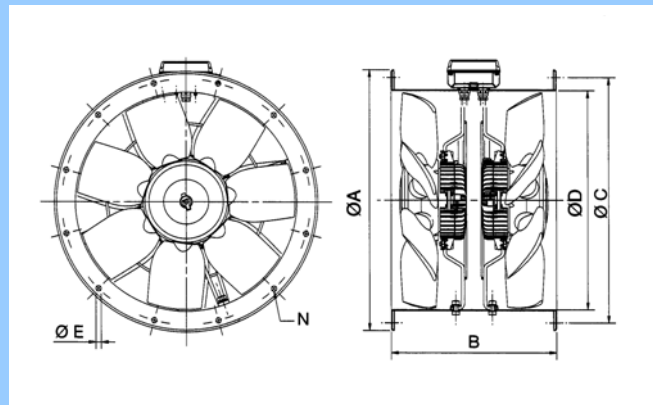


# Contra-rotating Axial Fan – TDC Series

KRUGER

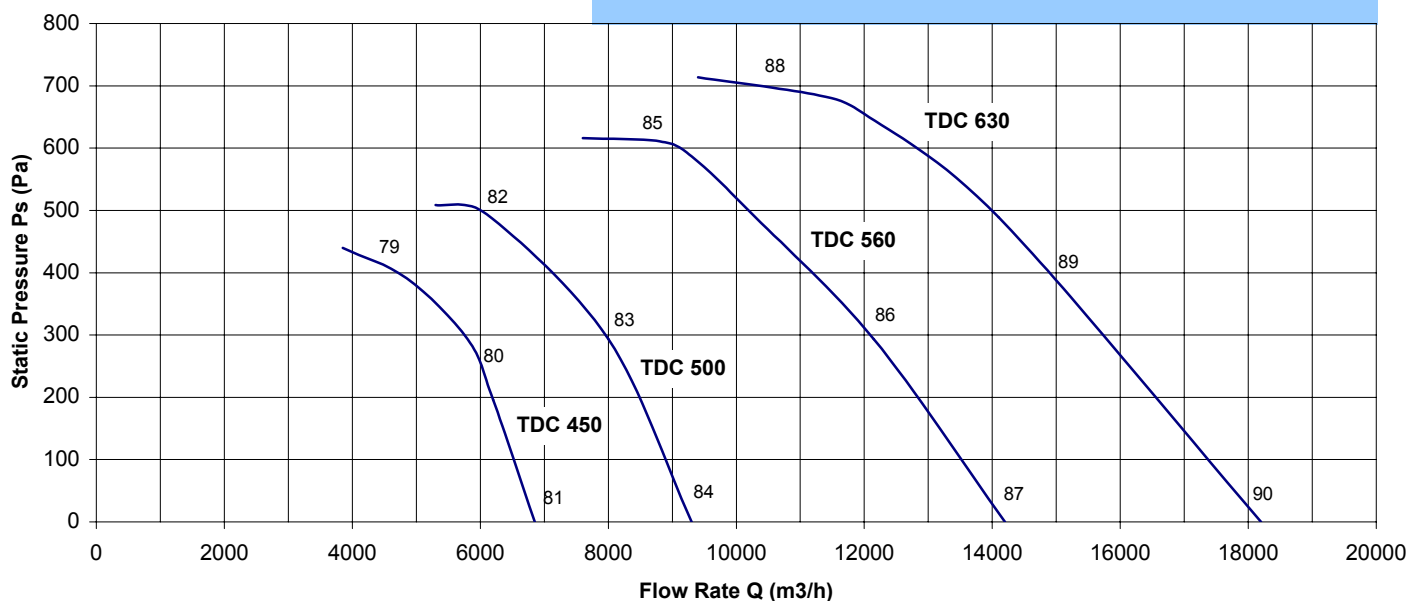
- Specially designed and style for this contra-rotation Axial Fan range.
- Equivalent in size and up to 2 times the pressure characteristics of traditional axial fans, compact in size, high efficiencies and excellent speed controllability.
- Motor mounting supports are manufactured from steel rod, electro welded and epoxy paint.
- Ball bearings are greased for life and allow the fans to be installed at any angle.
- Statically and dynamically balanced to ISO 1940 standard.
- Impellers manufactured in die-cast aluminium, are fitted with narrow profiled blades, provide the maximum efficiency at the maximum airflow.
- All motors are fitted with Thermal Protection, which should be wired into all controller circuits' and into starter contactors.
- Temp. -40°C to 70°C

## Dimension



Model	ØA	B	ØC	ØD	ØE	N	Wt (kg)
TDC 450	537	375	500	450	12	8	42
TDC 500	595	375	560	500	12	12	50
TDC 560	655	520	620	560	12	12	66
TDC 630	725	520	690	630	12	12	80

All dimensions in mm.



## Technical Data

Model	Max Q m <sup>3</sup> /h	Max Abs. Power W	Motor Protection	Phase	N° Pole	Hz	Max Amp	Insulation Class	dB (A) at 3m	RPM
TDC 450	6900	1.24	IP65	1	4	50	5.4	F	68	1370
TDC 500	9400	1.70	IP65	1	4	50	7.3	F	70	1300
TDC 560	14300	3.25	IP65	1	4	50	15.5	F	72	1340
TDC 630	18200	3.90	IP65	1	4	50	19.0	F	73	1280
TDC 450	6900	1.25	IP65	3	4	50	3.4	F	68	1400
TDC 500	9400	1.75	IP65	3	4	50	3.6	F	70	1340
TDC 560	14300	3.12	IP65	3	4	50	5.8	F	72	1360
TDC 630	18200	4.20	IP65	3	4	50	8.0	F	73	1370

\*dB (A) at 3m are measured in free field condition from inlet duct with ducted inlet and outlet.