

BSB SISW CENTRIFUGAL FAN with Backward Wheel



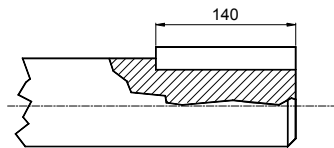
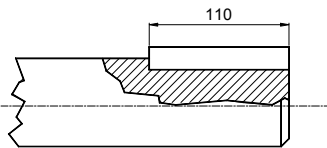
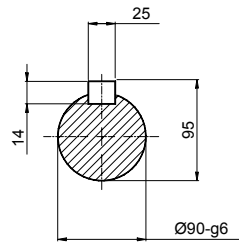
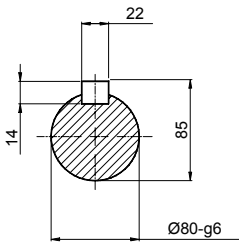
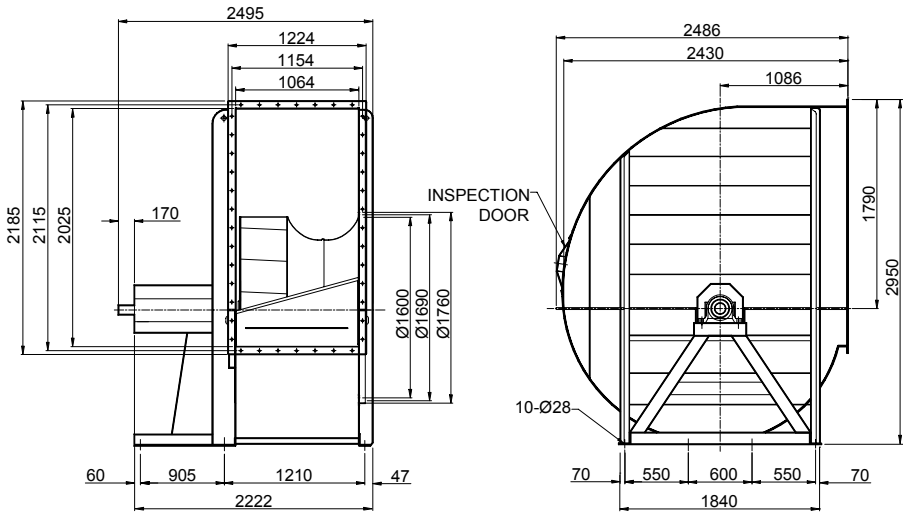
BSB 1600

BSB 1600 is SISW centrifugal fan with backward curved impeller. The fan is suitable for supply or exhaust applications in commercial and industrial buildings.

The wheel of BSB 1600 is made of cold rolled sheet steel with polyester coating finish. The housing is manufactured in mild steel finished with polyester powder coating. The frame is manufactured with sections of steel and finished with polyester powder coating.



Kruger Ventilation Industries Pte Ltd certifies that the BSB 1600 shown herein is licensed to bear the AMCA Seal. The ratings shown are based on tests and procedures performed in accordance with AMCA publication 211 and AMCA publication 311 and comply with the requirements of the AMCA Certified Ratings Program.

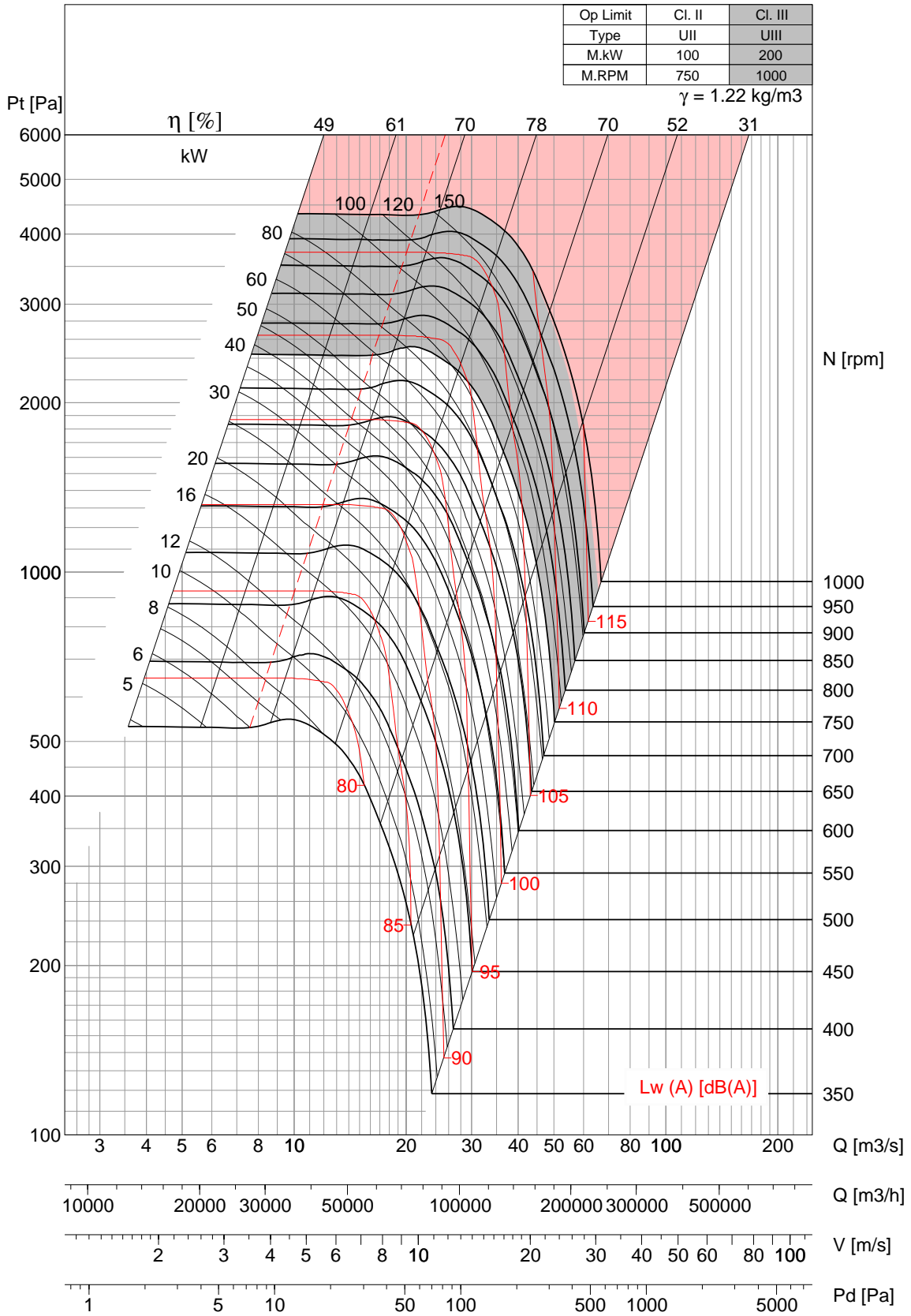


TYPE UII

TYPE UIII



BSB 1600



- Performance certified is for Installation type B – free inlet, ducted outlet. Performance ratings do not include the effects of appurtenances (accessories). Power rating (kW) does not include transmission losses.
 - The A-weighted sound ratings shown have been calculated per AMCA International Standard 301. Values shown are for inlet $L_{wi}(A)$, sound power levels for installation type B – free inlet, ducted outlet.