



# *APM Series*

*COMPACT AXIAL FANS*

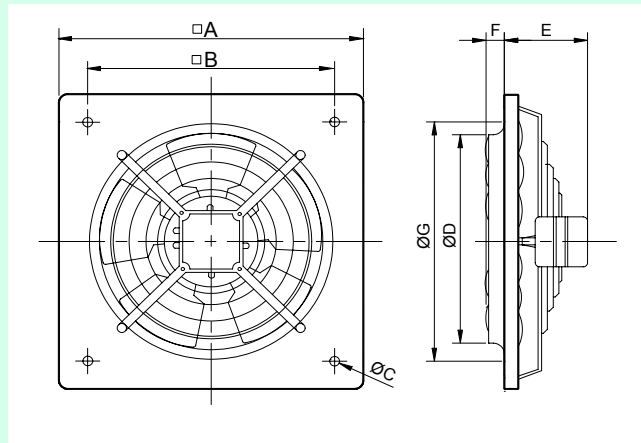


# Plate Mounted Axial Flow Fans – APM Series

KRUGER

- APM Series is designed for direct walls or panels mounting.
- Suitable for ventilation application where the extraction of small volume of air at low pressure is required.
- Applications include cafes, bars, small restaurants, commercial premises and small workshops.
- Completed with one piece bell mouth inlet and mounting plate manufactured from pressed galvanised steel with polyester painting finish.
- Fitted with steel finger proof guard as standard mounted to the inlet side of fan.
- 5-bladed impeller manufactured from galvanised steel sheet finish with epoxy-polyester painting.
- Incorporated with single phase shaded pole asynchronous induction motor and an auto reset thermal overload protection device.
- Supplied with a flexible cable for connection to electrical supply.

## Dimension



Model	□A	□B	∅C	∅D	E	F	∅G	Wt (kg)
APM 200	266	222	9	205	85.5	19	211	1.7
APM 250	333	275.5	9	255	92.5	31	261	2.5
APM 315	400	336.5	10.5	305	92.5	35.5	311	3.1
APM 355	465	390	10.5	361	105.5	34.5	371	4.4
APM 400	500	420	10	400	141	52	414	7.3

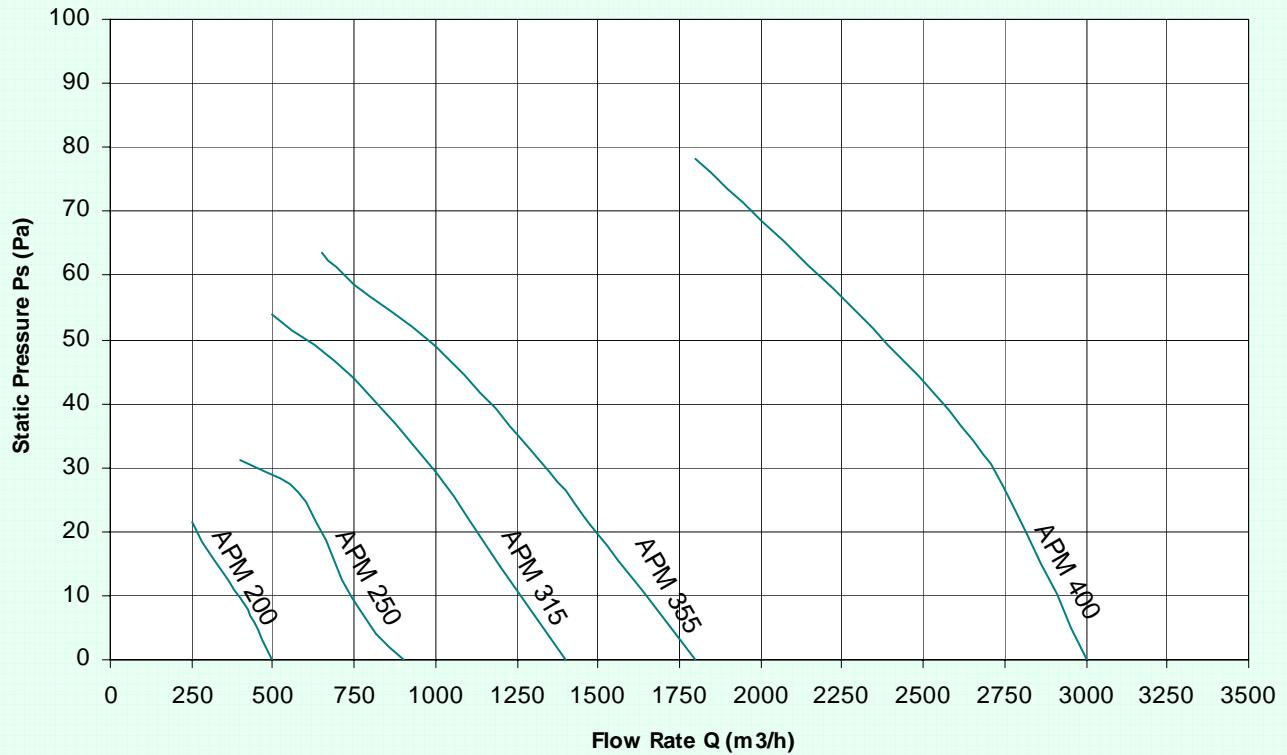
All Dimensions in mm

## Technical Data

Model	Max Q m³/h	Power W	Motor Protection	Motor	N° Pole	Hz	Max Amp	Volt	Insulation Class	dB (A) at 3m	RPM
APM 200	500	32	IP40	1 Phase	4	50	0.22	230	B	30	1300
APM 250	900	46	IP40	1 Phase	4	50	0.31	230	B	36	1300
APM 315	1400	55	IP40	1 Phase	4	50	0.40	230	B	42	1300
APM 355	1800	65	IP40	1 Phase	4	50	0.50	230	B	47	1300
APM 400	3000	200	IP20	1 Phase	4	50	1.60	230	B	51	1300

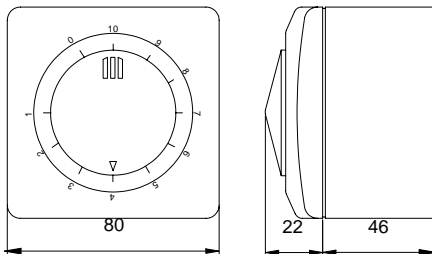
\* dB(A) at 3m measured at free discharge.

**Performance**



**Electrical Accessories**

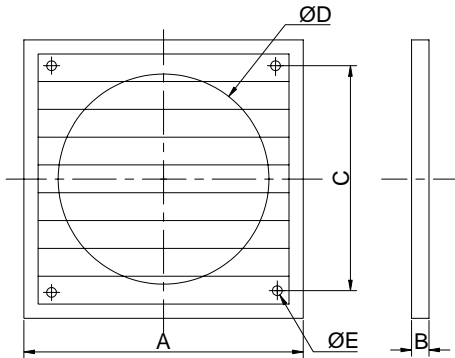
**Electronic Single Phase Speed Controllers**



- Available in Wall Box or Flush Mount versions.
- Fuse protected + spare fuses included.
- Radio interference protected.
- Minimum speed adjustment.
- Single ON/OFF and speed regulation control knob.

Type	Electrical Supply		IP Prot.	Power (VA)	Max. Amp	Ins. Cl	Operating Temp.	Type
	Hz	V						
REB-1N	50	220-240	IP-44	220	1.0	II	0-40°C	Wall Box
REB-1NE	50	220-240	IP-44	220	1.0	II	0-40°C	Flush Mounted

**Mounting Accessories**

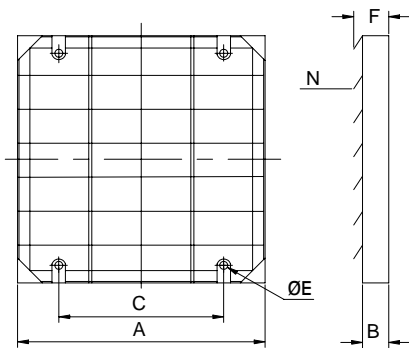


• **Plastic louver back draft shutters**

*Louvre back-draft shutters manufactured totally from UV stabilized plastic material. Supplied as standard in grey colour.*

Plastic Shutters Type	A	B	C	D	ØE	Model
PER-200 W	243	21	184	205	5	APM 200
PER-250 W	294	26	233	260	5	APM 250
PER-355 W	394	26	310	360	5	APM 315 – APM 355
PER-400 W	457	26	365	420	5	APM 400

All Dimensions in mm.



• **Aluminium louver back draft shutters**

*Louvre back-draft shutters with a steel frame and aluminium shutter blades.  
Frame supplied as standard in grey colour.  
All models are fitted with a bird guard.*

Alu. Shutters Type	A	B	C	ØE	F	N	Model
PER-250 CN	333	40	287	8	104	6	APM 200 – APM 250
PER-355 CN	398	40	352	8	104	7	APM 315 – APM 355
PER-400 CN	451	40	405	8	104	8	APM 400

All Dimensions in mm.