



APM Series ~ 60Hz

COMPACT AXIAL FANS

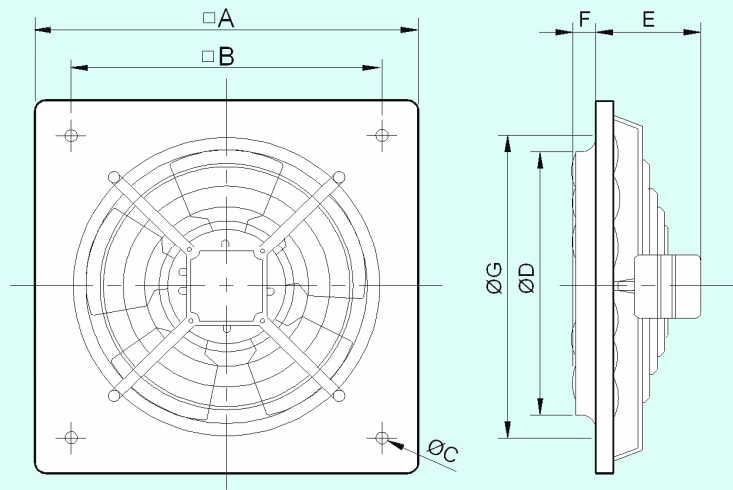


Plate Mounted Axial Flow Fans – APM Series-60Hz

KRUGER

- APM Series is designed for direct walls or panels mounting.
- Suitable for ventilation application where the extraction of small volume of air at low pressure is required.
- Applications include cafes, bars, small restaurants, commercial premises and small workshops.
- Completed with one piece bell mouth inlet and mounting plate manufactured from pressed galvanised steel with polyester painting finish.
- Fitted with steel finger proof guard as standard mounted to the inlet side of fan.
- 5-bladed impeller manufactured from galvanised steel sheet finish with epoxy-polyester painting.
- Incorporated with single phase shaded pole asynchronous induction motor and an auto reset thermal overload protection device.
- Supplied with a flexible cable for connection to electrical supply.

Dimension



Model	□A	□B	ØC	ØD	E	F	ØG	Wt (kg)
APM 200-6	266	222	9	205	85.5	19	211	1.7
APM 250-6	333	275.5	9	255	92.5	31	261	2.5
APM 315-6	400	336.5	10.5	305	92.5	35.5	311	3.1
APM 355-6	465	390	10.5	361	105.5	34.5	371	4.4

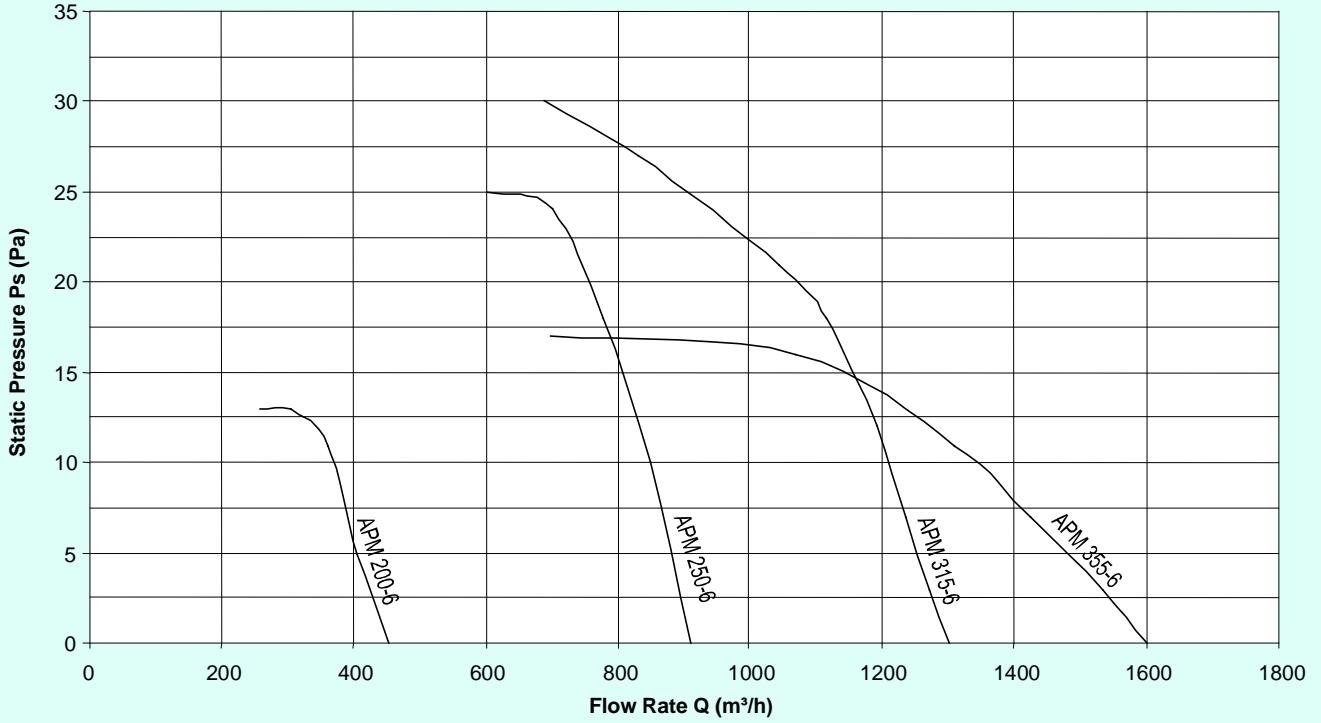
All Dimension in mm.

Technical Data

Model	Max Q m ³ /h	Power W	Motor Protection	Motor	N° Pole	Hz	Max Amp	Volt	Insulation Class	dB (A) at 3m	RPM
APM 200-6	500	32	IP40	1 Phase	4	60	0.22	230	B	30	1445
APM 250-6	900	46	IP40	1 Phase	4	60	0.31	230	B	36	1536
APM 315-6	1400	55	IP40	1 Phase	4	60	0.44	230	B	42	1518
APM 355-6	1800	65	IP40	1 Phase	4	60	0.50	230	B	47	1328

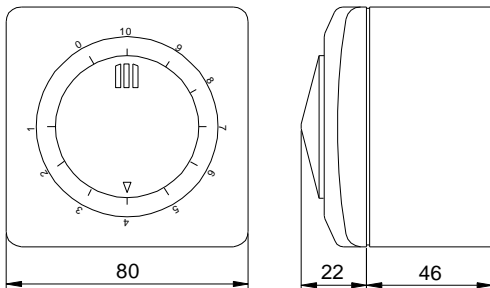
* dB(A) at 3m measured at free discharge.

Performance ~ 60Hz



Electrical Accessories

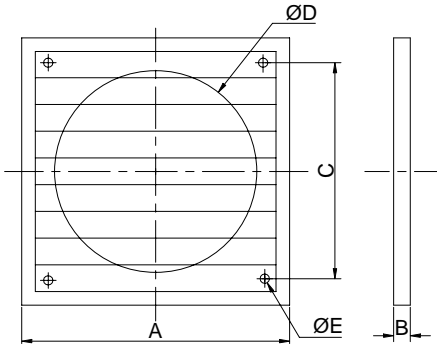
Electronic Single Phase Speed Controllers



- Available in Wall Box or Flush Mount versions.
- Fuse protected + spare fuses included.
- Radio interference protected.
- Minimum speed adjustment.
- Single ON/OFF and speed regulation control knob.

Type	Electrical Supply		IP Prot.	Power (VA)	Max. Amp	Ins. Cl	Operating Temp.	Type
	Hz	V						
REB-1N	60	220-240	IP-44	220	1.0	II	0-40°C	Wall Box
REB-1NE	60	220-240	IP-44	220	1.0	II	0-40°C	Flush Mounted

Mounting Accessories

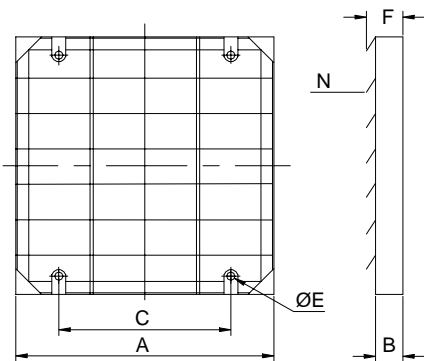


• **Plastic louver back draft shutters**

Louvre back-draft shutters manufactured totally from UV stabilized plastic material. Supplied as standard in grey colour.

Plastic Shutters Type	A	B	C	D	ØE	Model
PER-200 W	243	21	184	205	5	APM 200-6
PER-250 W	294	26	233	260	5	APM 250-6
PER-355 W	394	26	310	360	5	APM 315-6 – APM 355-6

All Dimensions in mm.



• **Aluminium louver back draft shutters**

Louvre back-draft shutters with a steel frame and aluminium shutter blades.

Frame supplied as standard in grey colour.

All models are fitted with a bird guard.

Alu. Shutters Type	A	B	C	ØE	F	N	Model
PER-250 CN	333	40	287	8	104	6	APM 200-6 – APM 250-6
PER-355 CN	398	40	352	8	104	7	APM 315-6 – APM 355-6

All Dimensions in mm.