

MAINTENANCE

Before carry out cleaning or maintenance, disconnect the main electrical supply to the fan by means of a double pole switch or remove the plug.

- Remove the grille.
- Clean the grille using lukewarm water neutral detergent and rinse with clean water.
- Wipe the main body with cloth and neutral detergent.
- Fit the grille back when it is dry.

Note :

- When power cord is replaced, the cord diameter should not be less than 0.5mm² and it must be double covered and must use the fixing terminal and special tools to work.



- Do not put fingers into the grille

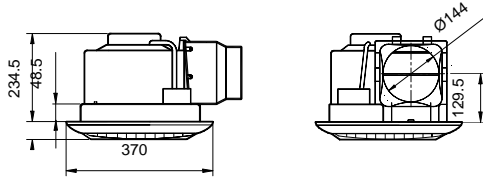


- To prevent electric shocks, do not spray water near the ventilation fan

BREAKDOWN REPAIR

Phenomena	Check	Method
Fan blades not running when the power is on	1. If the fuse is broken	1. Ask for repair
	2. If the fan blades are blocked	2. Remove and clean the grille

Specification and sizes of parts



Accessories: screw: (#4x25) ~ 5pcs & (#4X14) ~ 2pcs

Model	Hz	Watt	RPM	F.L.A	CMH	dB (A)	Kg
KCE 300L	50	36	711	0.17	290	34	4.2
	60	37	695	0.17	292	33	

* dB (A) – Sound pressure level at 3 meter.

KRUGER GROUP

SINGAPORE

Kruger Ventilation Industries Pte Ltd
No. 17 Tuas Avenue 10
Singapore 639141
Tel. +65 68611577 - Fax +65 68613577

MALAYSIA

Kruvent Industries (M) Sdn Bhd
Lot 8, Jalan Perusahaan 2
Batu Caves Industrial Area, 68100 Batu Caves
Selangor
Tel. +603 61888293 - Fax +603 61898843

BEIJING

Beijing Kruger M&E Equipment Co. Ltd
No. 1A Fuyuan South Road, Beijing
Economic and Technological Development
Area, Beijing China 100176
Tel. +8610-67881366 - Fax +8610-67880566

HONG KONG

Kruger Ventilation (Hong Kong) Limited
Flat B, 9/F, Yeung Yiu Chung (No. 8) Industrial
Building, 20 Wang Hoi Road, Kowloon, Hong Kong
Tel. +852 22469182 - Fax +852 22469187

WUHAN

Wuhan Kruger M&E Industries Ltd
108 Fangjicun, Yangyuan Street
Wuchang, Wuhan, P.R China 430063
Tel. +8627-86718165 - Fax +8627-86825719

PHILIPPINES

Kruger Ventilation Industries Phils. Inc
FAP Compound, E. Rodriguez Ave.
Tunasan, Muntinlupa City, Philippines 1773
Tel. +63-2 862-2891 - Fax +63-2 862-1287

INDONESIA

P.T KrugerIndo Adhiteknik
Ruko Mahkota Mas Blok C No. 20
Jl. M.H. Thamrin – Cikokol Tangerang 15117
Tel. +6221-5543107-8 – Fax +6221-5543016

KOREA

Neomate Technology&Consulting Co. Ltd
#A-407-1, Ansung B/D, 410-13, Shindorim-Dong,
Kuro-Gu, Seoul, Korea
Tel. +82 02-2679-2052-3 - Fax +82 02-2679-2174

SINGAPORE

Kruger Engineering Pte Ltd
No. 17 Tuas Avenue 10
Singapore 639141
Tel. +65 68631191 - Fax +65 68631115

THAILAND

Kruger Ventilation (Thailand) Co. Ltd
1/19 Moo 2 Rama II Rd. Tasai Mueng
Samuthsakorn 74000, Thailand
Tel. +66 34-490164-9 - Fax +66 34-490170

GUANGZHOU

Guangzhou Kruger M&E Ind. Ltd
No 1270 Maogang Road, Huangpu
Guangzhou, P.R. China 510700
Tel. +8620-82287634 - Fax +8620-82287624

SHANGHAI

Shanghai Kruger M&E Industries Ltd
No. 500 Yuanguo Road, Anting, Jiading,
Shanghai 201814, P.R. China
Tel. +86 21-69573286 - Fax +86 21-69573266

TAIPEI

Kruger Ventilation (Twn) Co. Ltd
No. 157, Ping-an Rd, Hengfeng Village,
Dayuan Shiang Taoyuan County 337, Taiwan
Tel. +886 3-3859119 - Fax +886 3-3859118

AUSTRALIA

Kruger Ventilation (Australia) Pty Ltd
4 Blackfriar Place, Wetherill Park
NSW 2164, Australia
Tel. +61-2-97562008 Fax +61-2-97560808

INDIA

Kruger M&E Ind. (India) Pvt Ltd
Pardhy House 1st Floor
Junction of Hanuman Road & MG Road
Vile Parle (East) Mumbai 57
Tel. +9122-56926095/677 – Fax +9122-56926098



General Instructions KCE 300 L



“KRUGER” industrial and professional ventilators KCE Series, are components to be installed in plants or building to create ventilation systems. Correct installation is essential for the health and safety of people during operation of the appliance. Therefore the regulations indicated in these instructions must be observed and the mechanical protections must be prearranged.

If not properly installed the appliance may cause the risk of contact with the rotating fan, with consequent collision and abrasion. In addition, if it is not wired correctly, it may present risks related to electrical material. Should the appliance be required to operate in isolation i.e in laboratory tests; it is necessary to block it appropriately and prearrange the protections to avoid contact with the rotating parts. Room temperature must not exceed 55°C.

It is best to install appliance as far as possible from areas usually occupied by people to avoid accessibility and to reduce exposure to noise.

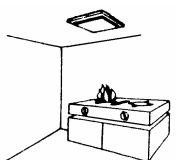
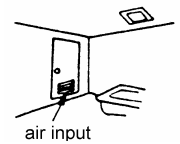
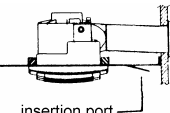
Transport This appliance must not be overturned and the packing must not be deformed during transport. If the gross weight indicated on the package is over 10 kg, the package must be carried manually by more than one person. Appliance arranged on wooden-pallets must be moved with a transpallet.

Storage The appliance should be stored in a dry place in their original packing. Appliances packed in cardboard boxes may be stored on top of one another up to a maximum of 2 meters, when not otherwise indicated on the package. Appliances on pallets which are placed in view cannot be stacked. After removing the packing, check the integrity of the appliance. In case of doubt, do not use the appliance and contact us. Packing elements (plastic bags, foam rubber, nails, etc) must be kept out of the reach of children as they are a potential source of danger.


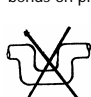
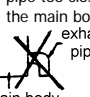

Installation

When installation, note the following precautions :-

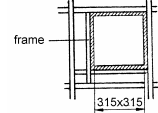
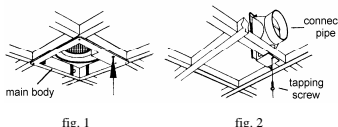
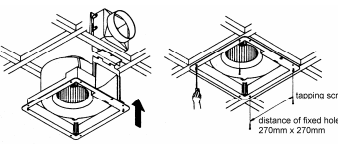
- remove packing and ensure the appliance is not damaged.
- Check that your electrical voltage and frequency correspond to those marked on the rating label.
- Do not start or operate the fan unless the protection grille are in place.
- Install the fan before building the ceiling, it shall be installed where it is durable to support the weight of the fan.
- The adopted material for ceiling shall be strengthened and resonance-resistance (e.g. plaster board, celotax board)
- To prevent water from flowing back to the bathroom, tilt down the pipe to outdoor for 1° to 2°.
- Select the exhaust-hole cover properly to avoid loud noise.
- Install height not lower than 2.5m.

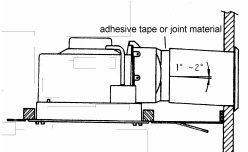
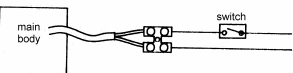
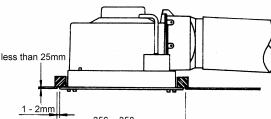
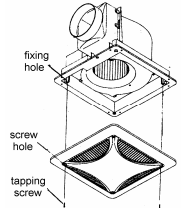
<ul style="list-style-type: none"> • Do not install it near gas stove, above cooker or in a place of high temp. over 40°C. 	<ul style="list-style-type: none"> • To improve the fan efficiency in a closed room, set up a convective windows of 400 sq.cm in opposite size to the fan. 	<ul style="list-style-type: none"> • Make sure to keep the inspection port 
---	---	---

- Do not distribute the pipe according to the following ways or it will be wind, loud noise and the counter flow board cannot be opened.

<p>(1) Overbent</p> 	<p>(2) Too many bends on pipe</p> 	<p>(3) Exhaust bend pipe too close to the main body.</p> 	<p>(4) Connecting pipe is shrunk</p> 
---	--	--	--

Installation Instruction

<p>1. Frame Installation Use strengthened frame to support the whole weight of the main body. Woodframe use : 30 x 30 mm Inner size : 315 x 315 mm</p>	
<p>2. Connecting Pipe Put the body into the fixing frame, make a mark on it as per the hole position shown in the arrow and remove the body (fig. 1). Tighten the tapping screw at the mark (fig.2).</p>	
<p>3. Main Body Installation Insert the main body aligned with connecting pipe. Fix it temporarily by wind screw. Connect the pipe with main body tightly and fixed it by additional screws</p>	

<p>4. Connecting & Exhaust pipe Seal up the connecting place by adhesive tap or joint mixture. Tilt down the exhaust pipe to outdoor about 1° or 2°.</p>	
<p>5. Electrical Distribution</p>	
<p>6. Ceiling Installation Keep a space of 1 to 2mm between ceiling and outer rim of main body. Thickness of ceiling shall be less than 25mm.</p>	
<p>7. Test run and Installation of grille Align screw hole of grille with fixing hole of body and tighten with the attached 2 tapping screws. After installation, check for Rigidity, abnormal noise and vibration when in operation.</p>	

Illustration

