

KRUGER GROUP

SINGAPORE
Kruger Ventilation Industries Pte Ltd
 No. 17, Tuas Avenue 10
 Singapore 639141
 Tel. +65 68611577 – Fax +65 68613577

MALAYSIA
Kruvent Industries (M) Sdn Bhd
 Lot 8, Jalan Perusahaan 2 Batu Caves
 Industrial Area, 68100 Batu Caves Selangor
 Tel. +603 61888293 – Fax +603 61898843

BEIJING
Beijing Kruger Ventilation Co. Ltd
 No. 1A South Industry Area
 Beijing Economical And Technological
 Development Area, Beijing China 100176
 Tel. +86 10-67881366 – Fax +86 10-67880566

HONG KONG
Kruger Ventilation (Hong Kong) Limited
 Flat C, 9/F,
 Yeung Yiu Chung (No. 8) Industrial Building,
 20 Wang Hoi Road,
 Kowloon Bay, Kowloon, Hong Kong
 Tel. +852 22469182 – Fax +852 22469187

WUHAN
Wuhan Kruger Ventilation Co. Ltd
 Xincheng Road 10, South Dongwu Ave,
 Dongxihu District, Wuhan, Hubei, P.R.China 430040
 Tel. +86 27-83248840 – Fax +86 27-83261886

PHILIPPINES
Kruger M&E Industries Corporation
 FAP1 Compound, E. Rodriguez Ave.
 Tunasan, Muntinlupa City, Philippines 1773
 Tel. +63 2-8622891-97 – Fax +63 2-8621287

INDONESIA
P.T. Kruger Ventilation Indonesia
 Jl. Teuku Umar No.20
 Karawaci – Tangerang 15115, Indonesia
 Tel. +62 21-5512288/5513557 – Fax +62 21-5513502

KOREA
Neomato Technology & Consulting Co. Ltd
 2-1010, Ace High City B/D, Mullaedong 3-ga
 Yeongdeungpo-gu, Seoul, Korea, 150-972
 Tel. +82 2-26792052 – Fax +82 2-26792174

DUBAI
Kruger Ventilation Industries, Gulf Branch
 Jebel Ali Free Zone Area (JAFZA)
 Near Roundabout 8, Warehouse No. RA08FCC05
 P.O. Box No. 262949
 Tel. +971 4-8832017 – Fax +971 4-8832018

SINGAPORE
Kruger Engineering Pte Ltd
 No. 17, Tuas Avenue 10
 Singapore 639141
 Tel. +65 68631191 – Fax +65 68631151

THAILAND
Kruger Ventilation Ind. (Thailand) Co. Ltd
 30/105 Moo 1 Sinsakorn Industrial Estate
 Chetsadawithi Road, Khok Kham Mueng,
 Sakuthsakorn 74000, Thailand
 Tel. +662 1050399 – Fax +662 1050370-2

GUANGZHOU
Guangzhou Kruger Ventilation Co. Ltd
 No. 9 Huahui Road, Huashan
 Huadu, Guangzhou, P.R. China
 Tel. +86 20-86786070 – Fax +86 20-86786001/86786500

SHANGHAI
Shanghai Kruger Ventilation Co. Ltd
 No. 500 Yuanguo Road, Anting, Jiading,
 Shanghai 201814, P.R. China
 Tel. +86 21-69573266 – Fax +86 21-69573296

TAIPEI
Kruger Ventilation (Taiwan) Co. Ltd
 No. 157, Ping-an Rd, Hengfeng Village,
 Dayuan Shiang Taoyuan County 337, Taiwan (ROC)
 Tel. +886 3-3859119 – Fax +886 3-3859118

AUSTRALIA
S&P-Kruger Australia Pty Ltd
 2 Cunningham St
 Moorebank N.S.W. 2170
 Tel. +61 2-98227747 – Fax +61 2-98227757

INDIA
Kruger Ventilation Industries (India) Pvt Ltd
 Kruger Centre, Mumbai-Nasik Highway,
 Atgaon, Shahapur, Thane 421304, Maharashtra, India
 Tel. +91 9860730999 – Fax +91 2527240075

VIETNAM
Kruger Ventilation Industries Pte Ltd
 (Vietnam Representative Office)
 4th Floor, HHM Office Building, 157-159 Xuan Hong St,
 Tan Binh Dist, Hochiminh City, Vietnam
 Tel. +84 8-6-2968123 – Fax +84 8-6-2968124



General Instructions MTD Series



IGB026.0/0603



Installation

The construction of the MTD series extractors enables them to be fitted anywhere into the ducting system. In addition, they may be installed in horizontal and vertical position.

Firstly, fix the support bracket assembly in position where the extractor is to be located. If it is convenient, we recommend that the fan to be put at least one metre from the nearest air inlet or outlet terminal or from any bend in the ducting. The fan body should then be fixed to the support by fitting the clamps into the lugs and then tightening the fixing screws.

The fan should then be connected to the ducting. In order to avoid losses in efficiency and performance, we do not recommend that the fan is used in conjunction with ducts of a lesser diameter than the fan outlet. We also recommend the use of flexible or resilient couplings to reduce the transmission of noise and vibration.

Wiring

Warning: The appliance must be earthed. (Except for MTD 100)

1. The extractor is equipped with a Single phase motor which should be connected to a single phase mains supply of the voltage and frequency given on the rating plate.
2. There should be a double pole isolator switch (min. air gap 3mm) in the supply wiring to the unit.
3. The extractor is fitted with a two speeds motor that can also be speed controlled.
4. A terminal box is incorporated to provide easy installation. The connections should be made according to fig. 2.
5. It is advised not to remove components other than those mentioned, as any tampering would automatically cancel the KRUGER guarantee.

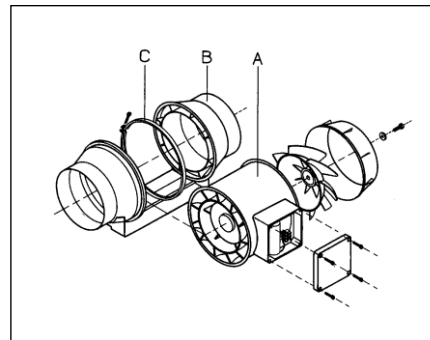


Fig. 1

Model	Ø mm
MTD 100	100
MTD 125	125
MTD 160	160
MTD 200	200
MTD 250	250
MTD 315	315

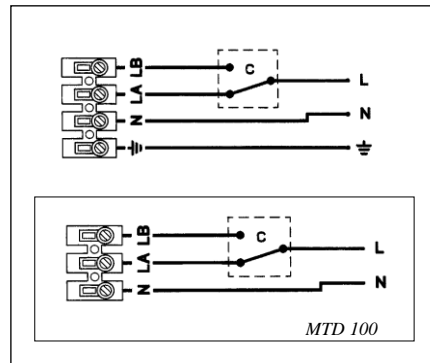


Fig. 2

LB - Low Speed
LA - High Speed
N - Neutral
C - Switch

Installation

The construction of the MTD series extractors enables them to be fitted anywhere into the ducting system. In addition, they may be installed in horizontal and vertical position.

Firstly, fix the support bracket assembly in position where the extractor is to be located. If it is convenient, we recommend that the fan to be put at least one metre from the nearest air inlet or outlet terminal or from any bend in the ducting. The fan body should then be fixed to the support by fitting the clamps into the lugs and then tightening the fixing screws.

The fan should then be connected to the ducting. In order to avoid losses in efficiency and performance, we do not recommend that the fan is used in conjunction with ducts of a lesser diameter than the fan outlet. We also recommend the use of flexible or resilient couplings to reduce the transmission of noise and vibration.

Wiring

Warning: The appliance must be earthed. (Except for MTD 100)

1. The extractor is equipped with a Single phase motor which should be connected to a single phase mains supply of the voltage and frequency given on the rating plate.
3. There should be a double pole isolator switch (min. air gap 3mm) in the supply wiring to the unit.
3. The extractor is fitted with a two speeds motor that can also be speed controlled.
6. A terminal box is incorporated to provide easy installation. The connections should be made according to fig. 2.
7. It is advised not to remove components other than those mentioned, as any tampering would automatically cancel the KRUGER guarantee.

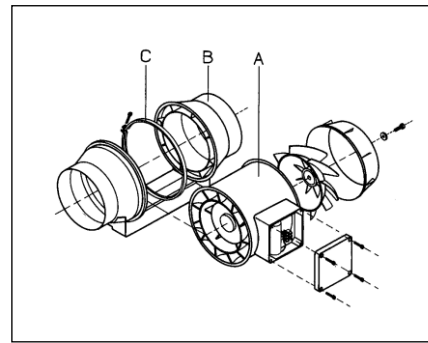


Fig. 1

Model	Ø mm
MTD 100	100
MTD 125	125
MTD 160	160
MTD 200	200
MTD 250	250
MTD 315	315

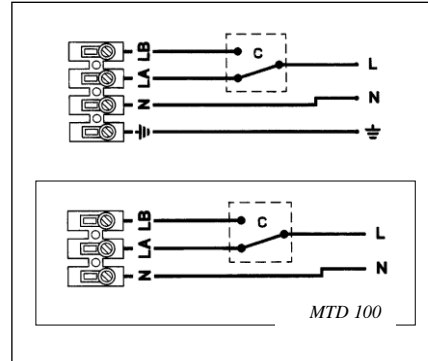


Fig. 2

LB - Low Speed
LA - High Speed
N - Neutral
C - Switch

KRUGER GROUP

SINGAPORE
Kruger Ventilation Industries Pte Ltd
 No. 17, Tuas Avenue 10
 Singapore 639141
 Tel. +65 68611577 – Fax +65 68613577

MALAYSIA
Kruvent Industries (M) Sdn Bhd
 Lot 8, Jalan Perusahaan 2 Batu Caves
 Industrial Area, 68100 Batu Caves Selangor
 Tel. +603 61888293 – Fax +603 61898843

BEIJING
Beijing Kruger Ventilation Co. Ltd
 No. 1A South Industry Area
 Beijing Economic And Technological
 Development Area, Beijing China 100176
 Tel. +86 10-67881366 – Fax +86 10-67880566

HONG KONG
Kruger Ventilation (Hong Kong) Limited
 Flat C, 9/F,
 Yeung Yui Chung (No. 8) Industrial Building,
 20 Wang Hoi Road,
 Kowloon Bay, Kowloon, Hong Kong
 Tel. +852 22469182 – Fax +852 22469187

WUHAN
Wuhan Kruger Ventilation Co. Ltd
 Xincheng Road 10, South Dongwu Ave,
 Dongxihu District, Wuhan, Hubei, P.R.China 430040
 Tel. +86 27-83248840 – Fax +86 27-83261886

PHILIPPINES
Kruger M&E Industries Corporation
 FAPI Compound, E. Rodriguez Ave.
 Tunasan, Muntinlupa City, Philippines 1773
 Tel. +63 2-8622891-97 – Fax +63 2-8621287

INDONESIA
P.T. Kruger Ventilation Indonesia
 Jl. Teuku Umar No.20
 Karawaci – Tangerang 15115, Indonesia
 Tel. +62 21-5512288/5513557 – Fax +62 21-5513502

KOREA
Neomate Technology & Consulting Co. Ltd
 2-1010, Ace High City B/D, Mullaedong 3-ga
 Yeongdeungpo-gu, Seoul, Korea, 150-972
 Tel. +82 2-26792052 – Fax +82 2-26792174

DUBAI
Kruger Ventilation Industries, Gulf Branch
 Jebel Ali Free Zone Area (JAFZA)
 Near Roundabout 8, Warehouse No. RA08FC05
 P.O. Box No. 262949
 Tel. +971 4-8832017 – Fax +971 4-8832018

SINGAPORE
Kruger Engineering Pte Ltd
 No. 17, Tuas Avenue 10
 Singapore 639141
 Tel. +65 68631191 – Fax +65 68631151

THAILAND
Kruger Ventilation Ind. (Thailand) Co. Ltd
 30/105 Moo 1 Sinsakorn Industrial Estate
 Chetsadawithi Road, Khok Kham Mueng,
 Sakulthasakorn 74000, Thailand
 Tel. +662 1050399 – Fax +662 1050370-2

GUANGZHOU
Guangzhou Kruger Ventilation Co. Ltd
 No. 9 Huahui Road, Huashan
 Huadu, Guangzhou, P.R. China
 Tel. +86 20-86786070 – Fax +86 20-86786001/86786500

SHANGHAI
Shanghai Kruger Ventilation Co. Ltd
 No. 500 Yuanquuo Road, Anting, Jiading,
 Shanghai 201814, P.R. China
 Tel. +86 21-69573266 – Fax +86 21-69573296

TAIPEI
Kruger Ventilation (Taiwan) Co. Ltd
 No. 157, Ping-an Rd, Hengfeng Village,
 Dayuan Shiang Taoyuan County 337, Taiwan (ROC)
 Tel. +886 3-3859119 – Fax +886 3-3859118

AUSTRALIA
S&P-Kruger Australia Pty Ltd
 2 Cunningham St
 Moorebank, N.S.W. 2170
 Tel. +61 2-98227747 – Fax +61 2-98227757

INDIA
Kruger Ventilation Industries (India) Pvt Ltd
 Kruger Centre, Mumbai-Nasik Highway,
 Atgaon, Shahapur, Thane 421304, Maharashtra, India
 Tel. +91 9860730999 – Fax +91 2527240075

VIETNAM
Kruger Ventilation Industries Pte Ltd
(Vietnam Representative Office)
 4th Floor, HHM Office Building, 157-159 Xuan Hong St,
 Tan Binh Dist, Hochiminh City, Vietnam
 Tel. +84 8-6-2968123 – Fax +84 8-6-2968124



General Instructions MTD Series

