

KRUGER GROUP

SINGAPORE
Kruger Ventilation Industries Pte Ltd
 No. 17, Tuas Avenue 10
 Singapore 639141
 Tel. +65 68611577 - Fax +65 68613577

SINGAPORE
Kruger Engineering Pte Ltd
 No. 17, Tuas Avenue 10
 Singapore 639141
 Tel. +65 68631191 - Fax +65 68631151

MALAYSIA
Kruvent Industries (M) Sdn Bhd
 Lot 8, Jalan Perusahaan 2
 Batu Caves Industrial Area, 68100 Batu Caves Selangor
 Tel. +603 61888293 - Fax +603 61898843

THAILAND
Kruger Ventilation Ind. (Thailand) Co. Ltd
 1/19 Moo 2 Rama II Rd, Tasai
 Mueng Samuthsakorn 74000, Thailand
 Tel. +66 34-490164-9/375-6 - Fax +66 34-490170/377

BEIJING
Beijing Kruger M&E Equipments Co. Ltd
 No. 1A Fuyuan South Road
 Beijing Economical And Technological
 Development Area, Beijing China 100176
 Tel. +86 10-67881366 - Fax +86 10-67880566

GUANGZHOU
Guangzhou Kruger M&E Industries Ltd
 No. 1270 Maogang Road, Huangpu
 Guangzhou, P.R. China 510700
 Tel. +86 20-82287634 - Fax +86 20-82287624

HONG KONG
Kruger Ventilation (Hong Kong) Limited
 Flat B, 9/F, Yeung Yiu Chung (No.8) Industrial
 Building, 20 Wang Hoi Road, Kowloon, HongKong
 Tel. +852 22469182 - Fax +852 22469187

SHANGHAI
Shanghai Kruger Industries Co. Ltd
 No.500 Yuanguo Road, Anting, Jiading, Shanghai
 201814 P.R. China
 Tel. +86 21-69573266 - Fax +86 21-69573296

WUHAN
Wuhan Kruger Industries Co. Ltd
 108 Fangjicun, Yangyuan Street
 Wuchang, Wuhan, P.R. China 430063
 Tel. +86 27- 86718165 - Fax +86 27- 86825719

TAIPEI
Kruger Ventilation (Taiwan) Co. Ltd
 No. 157, Ping-an Rd, Hengfeng Village,
 Dayuan Shiang Taoyuan County 337, Taiwan (ROC)
 Tel. +886 3-3859119 - Fax +886 3-3859118

PHILIPPINES
Kruger M&E Industries Corporation
 FAPI Compound, E. Rodriguez Ave.
 Tunasan, Muntinlupa City, Philippines 1773
 Tel. +63-2 862-2891 - Fax +63-2 862-1287

AUSTRALIA
Kruger Ventilation (Australia) Pty Ltd
 4 Blackfriar Place, Wetherill Park
 NSW 2164, Australia
 Tel. +61 2-97562008 - Fax +61 2-97560808

INDONESIA
P.T. Krugerindo Adhiteknik
 Ruko Mahkota Mas Blok C No. 20
 Jl. M.H. Thamrin - Cikokol Tangerang 15117
 Tel. +62 21-5543107-8 - Fax +62 21-5543016

INDIA
Kruger M&E Industries (India) Pvt Ltd
 Pardny House 1st Floor
 Junction of Hanuman Road & MG Road
 Vile Parle (East) Mumbai 57
 Tel. +91 22-56926095/6/7 - Fax +91 22-56926098

KOREA
Neomate Technology & Consulting Co. Ltd
 No. A-407-1, Ansong B/D, 410-13 Shindorimdong,
 Kuro-Gu, Seoul, Korea
 Tel. +82 2-2679-2052/3 - Fax +82 2-2679-2052/3



General Instructions MTD Series



IGB026.0/0603



Installation

The construction of the MTD series extractors enables them to be fitted anywhere into the ducting system. In addition, they may be installed in horizontal and vertical position.

Firstly, fix the support bracket assembly in position where the extractor is to be located. If it is convenient, we recommend that the fan to be put at least one metre from the nearest air inlet or outlet terminal or from any bend in the ducting. The fan body should then be fixed to the support by fitting the clamps into the lugs and then tightening the fixing screws.

The fan should then be connected to the ducting. In order to avoid losses in efficiency and performance, we do not recommend that the fan is used in conjunction with ducts of a lesser diameter than the fan outlet. We also recommend the use of flexible or resilient couplings to reduce the transmission of noise and vibration.

Wiring

Warning: The appliance must be earthed. (Except for MTD 100)

1. The extractor is equipped with a Single phase motor which should be connected to a single phase mains supply of the voltage and frequency given on the rating plate.
2. There should be a double pole isolator switch (min. air gap 3mm) in the supply wiring to the unit.
3. The extractor is fitted with a two speeds motor that can also be speed controlled.
4. A terminal box is incorporated to provide easy installation. The connections should be made according to fig. 2.
5. It is advised not to remove components other than those mentioned, as any tampering would automatically cancel the KRUGER guarantee.

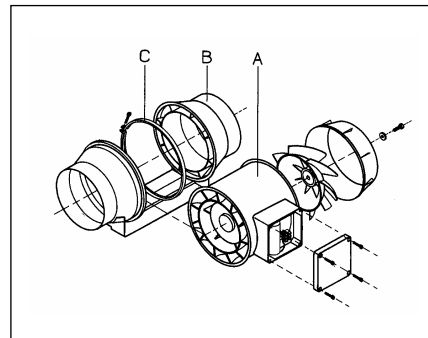


Fig. 1

Model	Ø mm
MTD 100	100
MTD 125	125
MTD 160	160
MTD 200	200
MTD 250	250
MTD 315	315

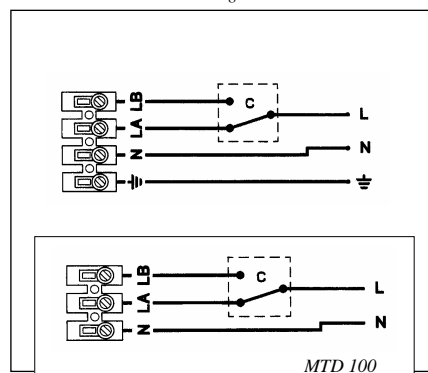


Fig. 2

LB - Low Speed
LA - High Speed
N - Neutral
C - Switch

Installation

The construction of the MTD series extractors enables them to be fitted anywhere into the ducting system. In addition, they may be installed in horizontal and vertical position.

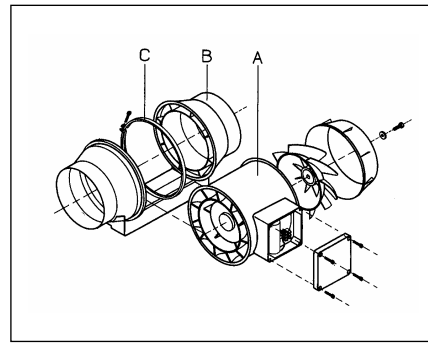
Firstly, fix the support bracket assembly in position where the extractor is to be located. If it is convenient, we recommend that the fan to be put at least one metre from the nearest air inlet or outlet terminal or from any bend in the ducting. The fan body should then be fixed to the support by fitting the clamps into the lugs and then tightening the fixing screws.

The fan should then be connected to the ducting. In order to avoid losses in efficiency and performance, we do not recommend that the fan is used in conjunction with ducts of a lesser diameter than the fan outlet. We also recommend the use of flexible or resilient couplings to reduce the transmission of noise and vibration.

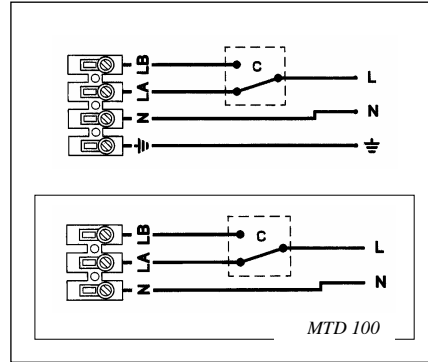
Wiring

Warning: The appliance must be earthed. (Except for MTD 100)

1. The extractor is equipped with a Single phase motor which should be connected to a single phase mains supply of the voltage and frequency given on the rating plate.
3. There should be a double pole isolator switch (min. air gap 3mm) in the supply wiring to the unit.
3. The extractor is fitted with a two speeds motor that can also be speed controlled.
6. A terminal box is incorporated to provide easy installation. The connections should be made according to fig. 2.
7. It is advised not to remove components other than those mentioned, as any tampering would automatically cancel the KRÜGER guarantee.



Model	Ø mm
MTD 100	100
MTD 125	125
MTD 160	160
MTD 200	200
MTD 250	250
MTD 315	315



LB - Low Speed
LA - High Speed
N - Neutral
C - Switch

Fig. 2

KRÜGER GROUP

SINGAPORE
Kruvent Ventilation Industries Pte Ltd
 No. 17, Tuas Avenue 10
 Singapore 639141
 Tel. +65 68611577 - Fax +65 68613577

MALAYSIA
Kruvent Industries (M) Sdn Bhd
 Lot 8, Jalan Perusahaan 2
 Batu Caves Industrial Area, 68100 Batu Caves Selangor
 Tel. +603 61888293 - Fax +603 61898843

BEIJING
Beijing Kruger M&E Equipments Co. Ltd
 No. 1A Fuyuan South Road
 Beijing Economical And Technological
 Development Area, Beijing China 100176
 Tel. +86 10-67881366 - Fax +86 10-67880566

HONG KONG
Kruger Ventilation (Hong Kong) Limited
 Flat B, 9/F, Yeung Yiu Chung (No.8) Industrial
 Building, 20 Wang Hoi Road, Kowloon, HongKong
 Tel. +852 22469182 - Fax +852 22469187

WUHAN
Wuhan Kruger Industries Co. Ltd
 108 Fangjicun, Yangyuan Street
 Wuchang, Wuhan, P.R. China 430063
 Tel. +86 27- 86718165 - Fax +86 27- 86825719

PHILIPPINES
Kruger M&E Industries Corporation
 FAPI Compound, E. Rodriguez Ave.
 Tunasan, Muntinlupa City, Philippines 1773
 Tel. +63-2 862-2891 - Fax +63-2 862-1287

INDONESIA
P.T. Krugerindo Adhiteknik
 Ruko Mahkota Mas Blok C No. 20
 J.L. M.H. Thamrin - Cikokol Tangerang 15117
 Tel. +62 21-5543107-8 - Fax +62 21-5543016

KOREA
Neomate Technology & Consulting Co. Ltd
 No. A-407-1, Ansung B/D, 410-13 Shindorimdong,
 Kuro-Gu, Seoul, Korea
 Tel. +82 2-2679-2052/3 - Fax +82 2-2679-2052/3

SINGAPORE
Kruger Engineering Pte Ltd
 No. 17, Tuas Avenue 10
 Singapore 639141
 Tel. +65 68631191 - Fax +65 68631151

THAILAND
Kruger Ventilation Ind. (Thailand) Co. Ltd
 1/19 Moo 2 Rama II Rd, Tasai
 Mueng Samuthsakorn 74000, Thailand
 Tel. +66 34-490164-9/375-6 - Fax +66 34-490170/377

GUANGZHOU
Guangzhou Kruger M&E Industries Ltd
 No. 1270 Maogang Road, Huangpu
 Guangzhou, P.R. China 510700
 Tel. +86 20-82287634 - Fax +86 20-82287624

SHANGHAI
Shanghai Kruger Industries Co. Ltd
 No.500 Yuanguo Road, Anting, Jiading, Shanghai
 201814 P.R. China
 Tel. +86 21-69573266 - Fax +86 21-69573296

TAIPEI
Kruger Ventilation (Taiwan) Co. Ltd
 No. 157, Ping-an Rd, Hengfeng Village,
 Dayuan Shiang Taoyuan County 337, Taiwan (ROC)
 Tel. +886 3-3859119 - Fax +886 3-3859118

AUSTRALIA
Kruger Ventilation (Australia) Pty Ltd
 4 Blackfriar Place, Wetherill Park
 NSW 2164, Australia
 Tel. +61 2-97562008 - Fax +61 2-97560808

INDIA
Kruger M&E Industries (India) Pvt Ltd
 Pardy House 1st Floor
 Junction of Hanuman Road & MG Road
 Vile Parle (East) Mumbai 57
 Tel. +91 22-56926095/6/7 - Fax +91 22-56926098



General Instructions
MTD Series

