

## MAINTENANCE

Before carry out any cleaning or maintenance, disconnect the main electrical supply to the fan by means of a double pole switch or remove the plug.

- Remove the grille.
- Clean the grille using lukewarm water neutral detergent and rinse with clean water.
- Wipe the main body with cloth and neutral detergent.
- Fit the grille back when it is dry.

### Note :

- Maintenance work is performed from a ladder or other support; ensure a firm footing and avoid duct fall-out.
- To prevent body from out of shape, do not wash the plastic parts with hot water over 60°C.
- Do not wash with toluence, kerosene, powerful detergent or alkali soap to prevent body from discoloured.



- Do not put fingers into the grille.

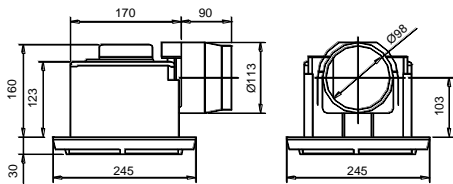


- To prevent electric shocks, do not spray water near the ventilation fan.

## BREAKDOWN REPAIR

Phenomena	Check	Method
Fan blades not running when the power is on.	1. If the fuse is broken.	1. Ask for repair.
	2. If the fan blades are blocked ( by cockroaches).	2. Remove and clean the grille.

## Specification and Sizes of parts



Accessories: wood screw: (#5x20) ~ 5 pcs

Model	Hz	Watt	RPM	F.L.A.	CHH (CFM)	dB (A)	Kg
KCE 170H	50	13	1261	0.11	97 (57)	37	2.2
	60	14	1326	0.12	103 (61)	38	

\* dB (A) – Sound pressure level at 1 meter.

## KRUGER GROUP

### SINGAPORE

**Kruger Ventilation Industries Pte Ltd**  
No. 17, Tuas Avenue 10  
Singapore 639141  
Tel. +65 68611577 – Fax +65 68613577

### MALAYSIA

**Kruvent Industries (M) Sdn Bhd**  
Lot 8, Jalan Perusahaan 2 Batu Caves  
Industrial Area, 68100 Batu Caves Selangor  
Tel. +603 61888293 – Fax +603 61898843

### BEIJING

**Beijing Kruger Ventilation Co. Ltd**  
No. 1A South Industry Area  
Beijing Economical And Technological  
Development Area, Beijing China 100176  
Tel. +86 10-67881366 – Fax +86 10-67880566

### HONG KONG

**Kruger Ventilation (Hong Kong) Limited**  
Flat C, 9/F,  
Yeung Yiu Chung (No. 8) Industrial Building,  
20 Wang Hoi Road,  
Kowloon Bay, Kowloon, Hong Kong  
Tel. +852 22469182 – Fax +852 22469187

### WUHAN

**Wuhan Kruger Ventilation Co. Ltd**  
Xincheng Road 10, South Dongwu Ave,  
Dongxihu District, Wuhan, Hubei, P.R.China 430040  
Tel. +86 27-83248840 – Fax +86 27-83261886

### PHILIPPINES

**Kruger M&E Industries Corporation**  
FAP Compound, E. Rodriguez Ave.  
Tunasan, Muntinlupa City, Philippines 1773  
Tel. +63 2-8622891-97 – Fax +63 2-8621287

### INDONESIA

**P.T. Kruger Ventilation Indonesia**  
JL. Teuku Umar No.20  
Karawaci – Tangerang 15115, Indonesia  
Tel. +62 21-5512288/5513557 – Fax +62 21-5513502

### KOREA

**Neomate Technology & Consulting Co. Ltd**  
2-1010, Ace High City B/D, Mulla-dong 3-ga  
Yeongdeungpo-gu, Seoul, Korea, 150-972  
Tel. +82 2-26792052 – Fax +82 2-26792174

### DUBAI

**Kruger Ventilation Industries, Gulf Branch**  
Jebel Ali Free Zone Area (JAFZA)  
Near Roundabout 8, Warehouse No. RA08FC05  
P.O. Box No. 262949  
Tel. +971 4-8832017 – Fax +971 4-8832018

### SINGAPORE

**Kruger Engineering Pte Ltd**  
No. 17, Tuas Avenue 10  
Singapore 639141  
Tel. +65 68631191 – Fax +65 68631151

### THAILAND

**Kruger Ventilation Ind. (Thailand) Co. Ltd**  
30/105 Moo 1 Sinsakorn Industrial Estate  
Chetsadawithi Road, Khok Kham Mueng,  
Sakuthsakorn 74000, Thailand  
Tel. +662 1050399 – Fax +662 1050370-2

### GUANGZHOU

**Guangzhou Kruger Ventilation Co. Ltd**  
No. 9 Huahui Road, Huashan  
Huadu, Guangzhou, P.R. China  
Tel. +86 20-86786070 – Fax +86 20-86786001/86786500

### SHANGHAI

**Shanghai Kruger Ventilation Co. Ltd**  
No. 500 Yuanguo Road, Anting, Jiading,  
Shanghai 201814, P.R. China  
Tel. +86 21-69573266 – Fax +86 21-69573296

### TAIPEI

**Kruger Ventilation (Taiwan) Co. Ltd**  
No. 157, Ping-an Rd, Hengfeng Village,  
Dayuan Shiang Taoyuan County 337, Taiwan (ROC)  
Tel. +886 3-3859119 – Fax +886 3-3859118

### AUSTRALIA

**S&P-Kruger Australia Pty Ltd**  
2 Cunningham St  
Moorebank N.S.W. 2170  
Tel. +61 2-98227747 – Fax +61 2-98227757

### INDIA

**Kruger Ventilation Industries (India) Pvt Ltd**  
Kruger Centre, Mumbai-Nasik Highway,  
Atgaon, Shahapur, Thane-421304, Maharashtra, India  
Tel. +91 9860730999 – Fax +91 2527240075

### VIETNAM

**Kruger Ventilation Industries Pte Ltd  
(Vietnam Representative Office)**  
4<sup>th</sup> Floor, HHM Office Building, 157-159 Xuan Hong St,  
Tan Binh Dist, Hochiminh City, Vietnam  
Tel. +84 8-6-2968123 – Fax +84 8-6-2968124



## General Instructions KCE 170 H





“KRUGER” industrial and professional ventilators KCE Series, are components to be installed in plants or building to create ventilation systems. Correct installation is essential for the health and safety of people during operation of the appliance. Therefore the regulations indicated in these instructions must be observed and the mechanical protections must be prearranged.

If not properly installed the appliance may cause the risk of contact with the rotating fan, with consequent collision and abrasion. In addition, if it is not wired correctly, it may present risks related to electrical material. Should the appliance be required to operate in isolation i.e in laboratory tests; it is necessary to block it appropriately and prearrange the protections to avoid contact with the rotating parts. Room temperature must not exceed 55°C.

It is best to install appliance as far as possible from areas usually occupied by people to avoid accessibility and to reduce exposure to noise.

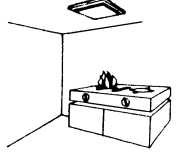
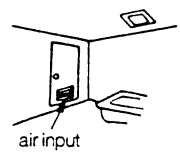
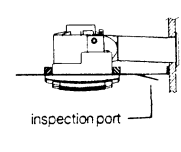
**Transport** This appliance must not be overturn and the packing must not be deformed during transport. If the gross weight indicated on the package is over 10 kg, more than one person must carry the package manually. Appliance arranged on wooden-pallets must be moved with a transpallet.

**Storage** The appliance should be stored in a dry place in their original packing. Appliances packed in cardboard boxes may be stored on top of one another up to a maximum of 2 meters, when not otherwise indicated on the package. Appliances on pallets, which are placed in view, cannot be stacked. After removing the packing, check the integrity of the appliance. In case of doubt, do not use the appliance and contact us. Packing elements (plastic bags, foam rubber, nails, etc) must be kept out of the reach of children, as they are a potential source of danger.


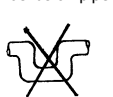
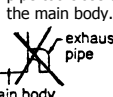

### Installation

When installation, note the following precautions :-

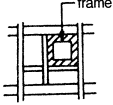
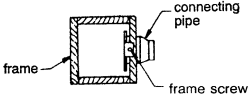
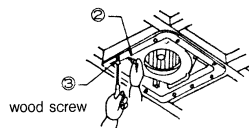
- remove packing and ensure the appliance is not damaged.
- Check that your electrical voltage and frequency correspond to those marked on the rating label.
- Do not start or operate the fan unless the protection grille is in place.
- Install the fan before building the ceiling, it shall be installed where it is durable to support the weight of the fan.
- The adopted material for ceiling shall be strengthened and resonance-resistance (e.g. plaster board, celotax board)
- To prevent water from flowing back to the bathroom, tilt down the pipe to outdoor for 1° to 2°.
- Select the exhaust-hole cover properly to avoid loud noise.
- Use the double-pole single throw for power switch. In case of single-pole switch, please connect it to the live wire.

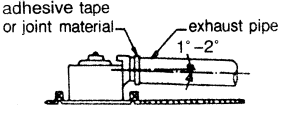
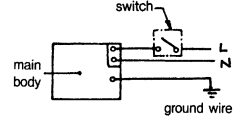
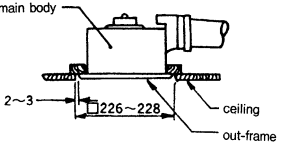
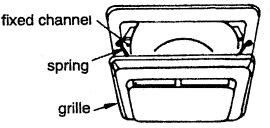
<ul style="list-style-type: none"> <li>• Do not install it near gas stove, above cooker or in a place of high temp. over 40°C.</li> </ul> 	<ul style="list-style-type: none"> <li>• To improve the fan efficiency in a closed room, set up a convective window of 400 sq.cm in opposite size to the fan.</li> </ul> 	<ul style="list-style-type: none"> <li>• Make sure to keep the inspection port</li> </ul> 
---	--	---

- Do not distribute the pipe according to the following ways or it will be wind, loud noise and the counter flow board cannot be opened.

(1) Overbent 	(2) Too many bends on pipe. 	(3) Exhaust bend pipe too close to the main body. 	(4) Connecting pipe is shrunk. 
---	---	--	---

### Installation Instruction

<p><b>1. Frame Installation</b> Use strengthened frame to support the whole weight of the main body. Woodframe use : 30 x 30 mm Inner size : 175 x 175 mm</p>	
<p><b>2. Connecting Pipe</b> Fixing the connecting pipe on frame by screw.</p>	
<p><b>3. Main Body Installation</b> Main body shall be inserted along with connecting pipe. Fix it temporarily by fixed screw. Ensure to connect the pipe with main body tightly and fixed it by additional screws #5x20 (5 pcs).</p>	

<p><b>4. Connecting &amp; Exhaust pipe Installation</b> Seal up the connecting place by adhesive tap or joint mixture. Tilt down the exhaust pipe to outdoor about 1° or 2°.</p>	
<p><b>5. Electrical Distribution</b></p>	
<p><b>6. Ceiling Installation</b> Keep a space of 2 to 3mm between ceiling and outer rim of main body. Thickness of ceiling shall be less than 25mm.</p>	
<p><b>7. Test run and Installation of grille</b> Switch power on and check operation. Install grille – shorten the spring and gently insert it into the fixing channel of the main body.</p>	

### Illustration

