

MAINTENANCE

Before carry out any cleaning or maintenance, disconnect the main electrical supply to the fan by means of a double pole switch or remove the plug.

- Remove the grille.
- Clean the grille using lukewarm water neutral detergent and rinse with clean water.
- Wipe the main body with cloth and neutral detergent.
- Fit the grille back when it is dry.

Note :

- Maintenance work is performed from a ladder or other support; ensure a firm footing and avoid duct fallout.
- To prevent body from out of shape, do not wash the plastic parts with hot water over 60°C.
- Do not wash with toluence, kerosene, powerful detergent or alkali soap to prevent body from discoloured.



- Do not put fingers into the grille.

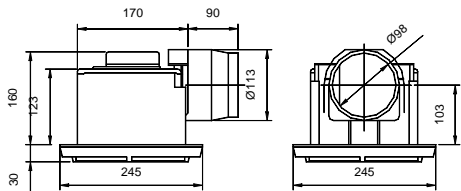


- To prevent electric shocks, do not spray water near the ventilation fan.

BREAKDOWN REPAIR

Phenomena	Check	Method
Fan blades not running when the power is on.	1. If the fuse is broken.	1. Ask for repair.
	2. If the fan blades are blocked (by cockroaches).	2. Remove and clean the grille.

Specification and Sizes of parts



Accessories: wood screw: (#5x20) ~ 5 pcs

Model	Hz	Watt	RPM	F.L.A.	CHH (CFM)	dB (A)	Kg
KCE 170H	50	13	1261	0.11	97 (57)	37	2.2
	60	14	1326	0.12	103 (61)	38	

* dB (A) – Sound pressure level at 1 meter.

KRUGER GROUP

SINGAPORE
Kruger Ventilation Industries Pte Ltd
 No. 17 Tuas Avenue 10
 Singapore 639141
 Tel. +65 68611577 - Fax +65 68613577

MALAYSIA
Kruvent Industries (M) Sdn Bhd
 Lot 8, Jalan Perusahaan 2
 Batu Caves Industrial Area, 68100 Batu Caves
 Selangor
 Tel. +603 61888293 - Fax +603 61898843

BEIJING
Beijing Kruger M&E Equipment Co. Ltd
 No. 1A Fuyuan South Road, Beijing
 Economical and Technological Development
 Area, Beijing China 100176
 Tel. +8610-67881366 - Fax +8610-67880566

HONG KONG
Kruger Ventilation (Hong Kong) Limited
 Flat B, 9/F, Yeung Yiu Chung (No. 8) Industrial
 Building, 20 Wang Hoi Road, Kowloon, Hong Kong
 Tel. +852 22469182 - Fax +852 22469187

WUHAN
Wuhan Kruger M&E Industries Ltd
 108 Fangjicun, Yangyuan Street
 Wuchang, Wuhan, P.R China 430063
 Tel. +8627-86718165 - Fax +8627-86825719

PHILIPPINES
Kruger Ventilation Industries Phils. Inc
 FAPI Compound, E. Rodriguez Ave.
 Tunasan, Muntinlupa City, Philippines 1773
 Tel. +63-2 862-2891 - Fax +63-2 862-1287

INDONESIA
P.T KrugerIndo Adhiteknik
 Ruko Mahkota Mas Blok C No. 20
 Jl. M.H. Thamrin – Cikokol Tangerang 15117
 Tel. +6221-5543107-8 - Fax +6221-5543016

KOREA
Neomate Technology&Consulting Co. Ltd
 #A-407-1, Ansung B/D, 410-13, Shindorim-Dong,
 Kuro-Gu, Seoul, Korea
 Tel. +82 02-2679-2052-3 - Fax +82 02-2679-2174

SINGAPORE
Kruger Engineering Pte Ltd
 No. 17 Tuas Avenue 10
 Singapore 639141
 Tel. +65 68631191 - Fax +65 68631115

THAILAND
Kruger Ventilation (Thailand) Co. Ltd
 1/19 Moo 2 Rama II Rd, Tasai Mueng
 Samuthsakorn 74000, Thailand
 Tel. +66 34-490164-9 - Fax +66 34-490170

GUANGZHOU
Guangzhou Kruger M&E Ind. Ltd
 No 1270 Maogang Road, Huangpu
 Guangzhou, P.R. China 510700
 Tel. +8620-82287634 - Fax +8620-82287624

SHANGHAI
Shanghai Kruger M&E Industries Ltd
 No. 500 Yuanguo Road, Anting, Jiading,
 Shanghai 201814, P.R. China
 Tel. +86 21-69573286 - Fax +86 21-69573266

TAIPEI
Kruger Ventilation (Twn) Co. Ltd
 No. 157, Ping-an Rd, Hengfeng Village,
 Dayuan Shiang Taoyuan Country 337, Taiwan
 Tel. +886 3-3859119 - Fax +886 3-3859118

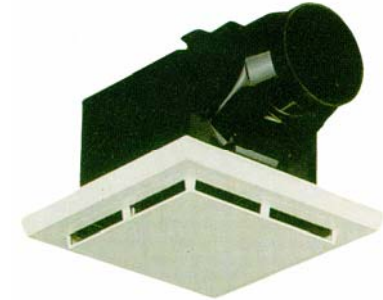
AUSTRALIA
Kruger Ventilation (Australia) Pty Ltd
 4 Blackfriar Place, Wetherill Park
 NSW 2164, Australia
 Tel. +61-2-97562008 Fax +61-2-97560808

INDIA
Kruger M&E Ind. (India) Pvt Ltd
 Pardhy House 1st Floor
 Junction of Hanuman Road & MG Road
 Vile Parle (East) Mumbai 57
 Tel. +9122-56926095/6/7 - Fax +9122-56926098



General Instructions

KCE 170 H



“KRUGER” industrial and professional ventilators KCE Series, are components to be installed in plants or building to create ventilation systems. Correct installation is essential for the health and safety of people during operation of the appliance. Therefore the regulations indicated in these instructions must be observed and the mechanical protections must be prearranged.

If not properly installed the appliance may cause the risk of contact with the rotating fan, with consequent collision and abrasion. In addition, if it is not wired correctly, it may present risks related to electrical material. Should the appliance be required to operate in isolation i.e in laboratory tests; it is necessary to block it appropriately and prearrange the protections to avoid contact with the rotating parts. Room temperature must not exceed 55°C.

It is best to install appliance as far as possible from areas usually occupied by people to avoid accessibility and to reduce exposure to noise.

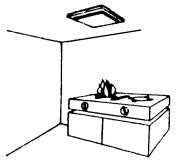
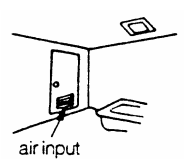
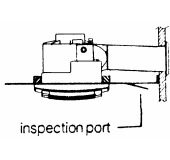
Transport This appliance must not be overturned and the packing must not be deformed during transport. If the gross weight indicated on the package is over 10 kg, more than one person must carry the package manually. Appliance arranged on wooden-pallets must be moved with a transpallet.

Storage The appliance should be stored in a dry place in their original packing. Appliances packed in cardboard boxes may be stored on top of one another up to a maximum of 2 meters, when not otherwise indicated on the package. Appliances on pallets, which are placed in view, cannot be stacked. After removing the packing, check the integrity of the appliance. In case of doubt, do not use the appliance and contact us. Packing elements (plastic bags, foam rubber, nails, etc) must be kept out of the reach of children, as they are a potential source of danger.


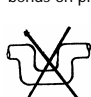
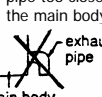

Installation

When installation, note the following precautions :-

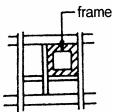
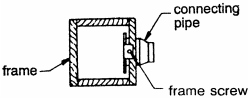
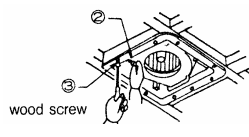
- remove packing and ensure the appliance is not damaged.
- Check that your electrical voltage and frequency correspond to those marked on the rating label.
- Do not start or operate the fan unless the protection grille is in place.
- Install the fan before building the ceiling, it shall be installed where it is durable to support the weight of the fan.
- The adopted material for ceiling shall be strengthened and resonance-resistance (e.g. plaster board, celotax board)
- To prevent water from flowing back to the bathroom, tilt down the pipe to outdoor for 1° to 2°.
- Select the exhaust-hole cover properly to avoid loud noise.
- Use the double-pole single throw for power switch. In case of single-pole switch, please connect it to the live wire.

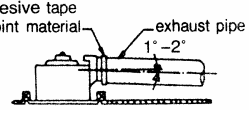
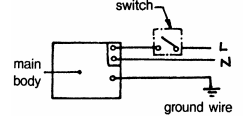
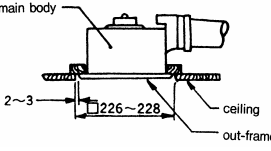
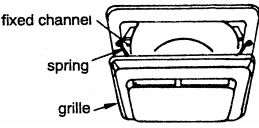
<ul style="list-style-type: none"> • Do not install it near gas stove, above cooker or in a place of high temp. over 40°C. 	<ul style="list-style-type: none"> • To improve the fan efficiency in a closed room, set up a convective window of 400 sq.cm in opposite size to the fan. 	<ul style="list-style-type: none"> • Make sure to keep the inspection port 
---	--	---

- Do not distribute the pipe according to the following ways or it will be wind, loud noise and the counter flow board cannot be opened.

<p>(1) Overbent</p> 	<p>(2) Too many bends on pipe.</p> 	<p>(3) Exhaust bend pipe too close to the main body.</p> 	<p>(4) Connecting pipe is shrunk.</p> 
---	---	--	---

Installation Instruction

<p>1. <u>Frame Installation</u> Use strengthened frame to support the whole weight of the main body. Woodframe use : 30 x 30 mm Inner size : 175 x 175 mm</p>	
<p>2. <u>Connecting Pipe</u> Fixing the connecting pipe on frame by screw.</p>	
<p>3. <u>Main Body Installation</u> Main body shall be inserted along with connecting pipe. Fix it temporarily by fixed screw. Ensure to connect the pipe with main body tightly and fixed it by additional screws #5x20 (5 pcs).</p>	

<p>4. <u>Connecting & Exhaust pipe Installation</u> Seal up the connecting place by adhesive tap or joint mixture. Tilt down the exhaust pipe to outdoor about 1° or 2°.</p>	
<p>5. <u>Electrical Distribution</u></p>	
<p>6. <u>Ceiling Installation</u> Keep a space of 2 to 3mm between ceiling and outer rim of main body. Thickness of ceiling shall be less than 25mm.</p>	
<p>7. <u>Test run and Installation of grille</u> Switch power on and check operation. Install grille – shorten the spring and gently insert it into the fixing channel of the main body.</p>	

Illustration

